

Features

- Hands-free operation with durable metal foot pedal
- Bifold lid slides open, folding to tent at back of can, slowly flattening to close
- To lock lid in open position, press against bottom of tented panel; pull to release
- Quiet-Close™ lid closes gently and silently
- Designed to fit any brand of 13-gallon trash bag
- Compact design fits in tight places
- Space-saving profile fits snugly against wall or cabinets
- Hinge design protects wall from scuffs
- Fingerprint-resistant finish stays clean longer
- Raised liner and rotating, locking rim for easy bag changes
- Removable plastic liner is easy to clean
- For regular cleaning, use a damp microfiber cloth. Do not use cleaners or abrasives

Material

- Durable stainless steel construction

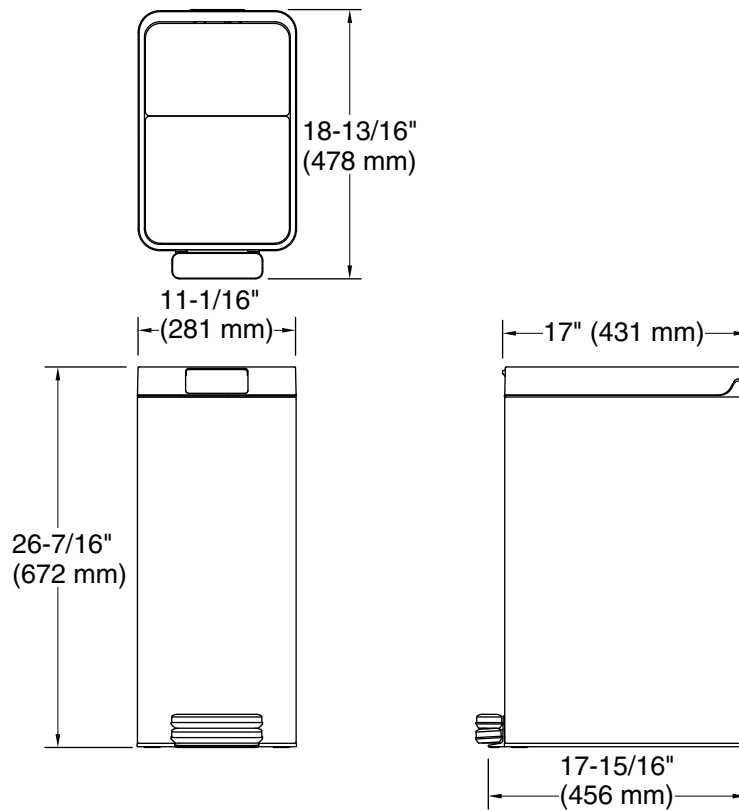


Codes/Standards

None Applicable

KOHLER® Step Trash Can Ten-Year Limited Warranty

See website for detailed warranty information.



Technical Information

All product dimensions are nominal.

Material: Stainless Steel, Plastic